

4 3 2 1

F

F

E

E

D

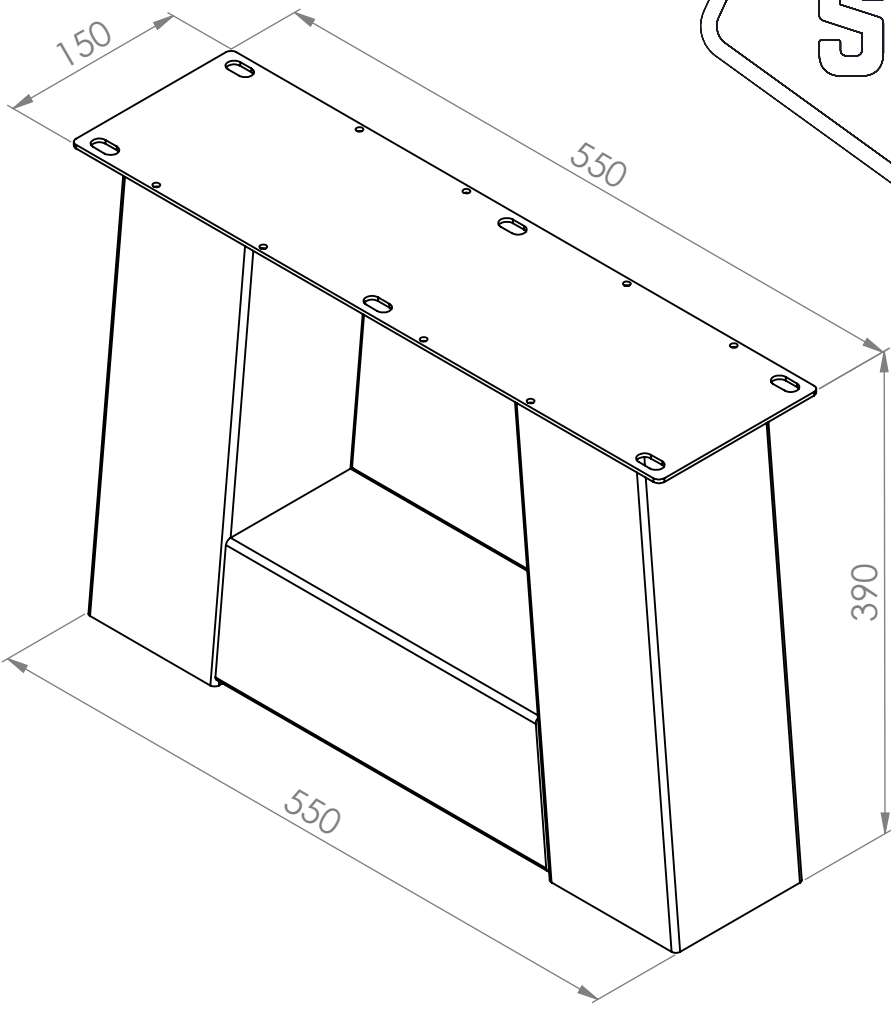
D

C

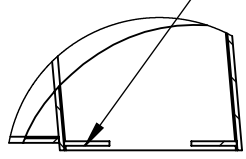
C

B

B



Strips to past fill or rubber to protect the floor

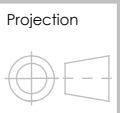


DETAIL BOTTOM SIDE LEG

Rev A:	
Rev B:	
Rev C:	
Rev D:	

UNLESS OTHERWISE SPECIFIED:
DIMENSIONS ARE IN MILLIMETERS
SURFACE FINISH:
TOLERANCES: TOSA001
LINEAR: TOSA001
ANGULAR: TOSA001

DEBURR AND
BREAK SHARP
EDGES



Property of Nordstahl copyrights reserved

NORDSTAHL

Stylish with steel

www.nordstahl.com

A	Drawn:	MATERIAL: Steel	Description: Trapezium heavy coffee leg
	Date:	FINISH: Powder coated Nordstahl Steel Colour	
	SCALE: 1:10	WEIGHT: 13893.42	Drawing no.: S2015-002-010

A4

4 3 2 1