

4

3

2

1

F

F

E

E

D

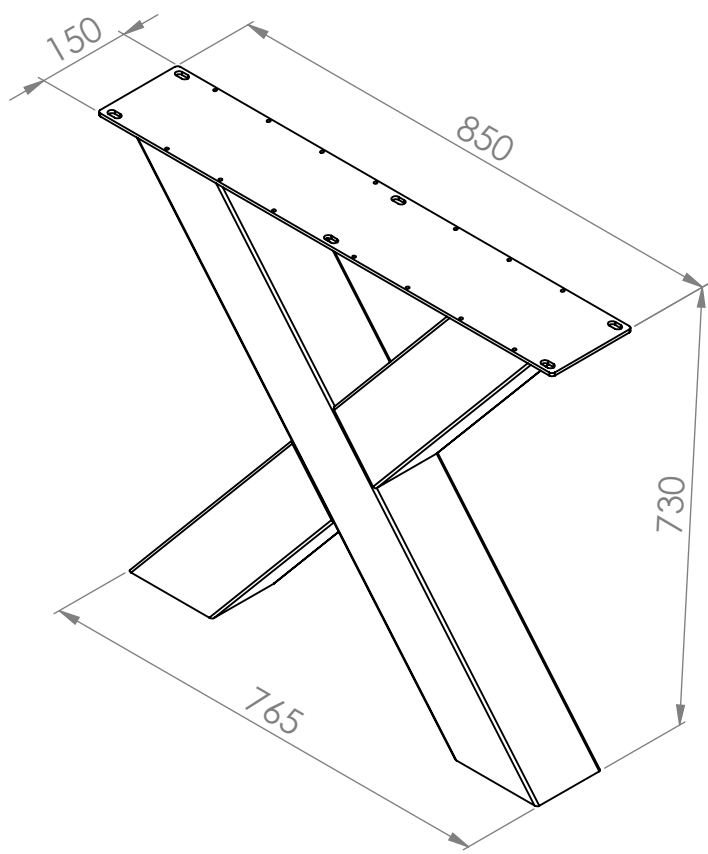
D

C

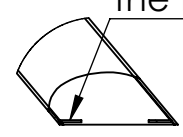
C

B

B



Strips to paste felt or rubber to protect the floor

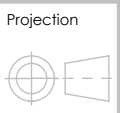


DETAIL BOTTOM SIDE LEG

Rev A:	
Rev B:	
Rev C:	
Rev D:	

UNLESS OTHERWISE SPECIFIED:
DIMENSIONS ARE IN MILLIMETERS
SURFACE FINISH:
TOLERANCES: TOSA001
LINEAR: TOSA001
ANGULAR: TOSA001

DEBURR AND
BREAK SHARP
EDGES



Property of Nordstahl copyrights reserved

NORDSTAHL

Stylish with steel

www.nordstahl.com

Drawn:	MATERIAL: Steel	Description: X leg heavy
	FINISH: Powder coated Nordstahl Steel Colour	
Date:		Drawing no.: T2015-001-010
SCALE: 1:20	WEIGHT: 24442.24	

A4

4

3

2

1

A

A