

4

3

2

1

F

F

E

E

D

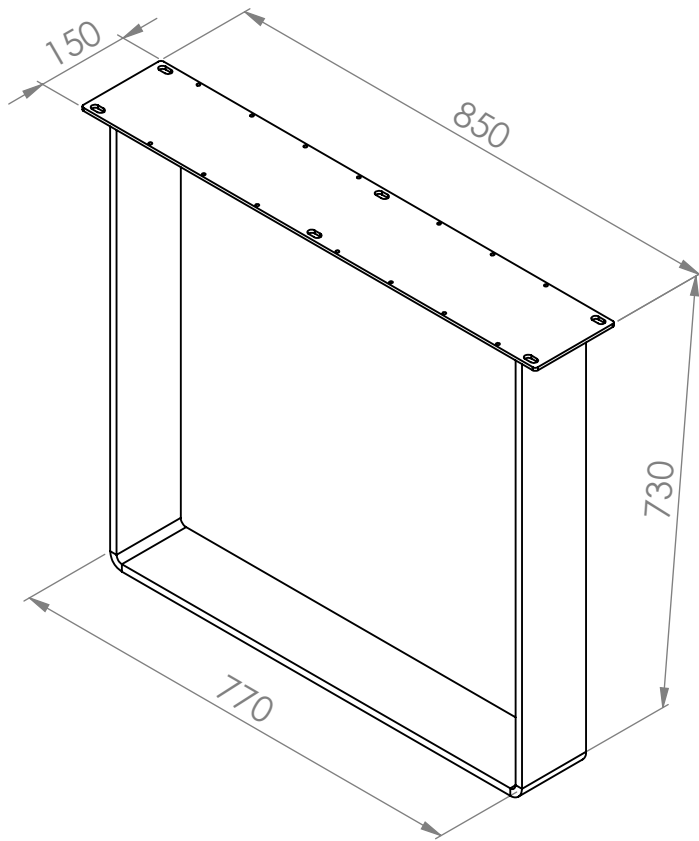
D

C

C

B

B



Rev A:  
Rev B:  
Rev C:  
Rev D:

UNLESS OTHERWISE SPECIFIED:  
DIMENSIONS ARE IN MILLIMETERS  
SURFACE FINISH:  
TOLERANCES: TOSA001  
LINEAR: TOSA001  
ANGULAR: TOSA001

DEBURR AND  
BREAK SHARP  
EDGES

Projection



Property of Nordstahl copyrights reserved

# NORDSTAHL

Stylish with steel

[www.nordstahl.com](http://www.nordstahl.com)

A

A

Drawn:  
Date:  
SCALE:  
1:20

MATERIAL: Steel  
FINISH: Powder coated Nordstahl Steel  
Colour  
WEIGHT: 29418.71

Description: Strip leg  
Drawing no.: T2015-009-010

A4

4

3

2

1