

4

3

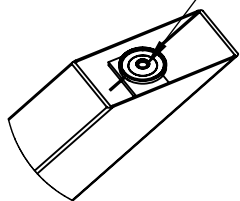
2

1

F

F

adjustable legs on all 4 sides

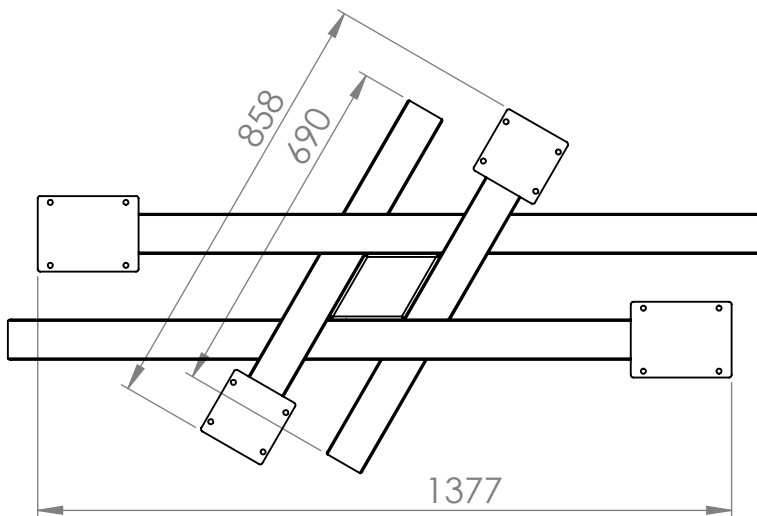


Detail bottom leg



E

E

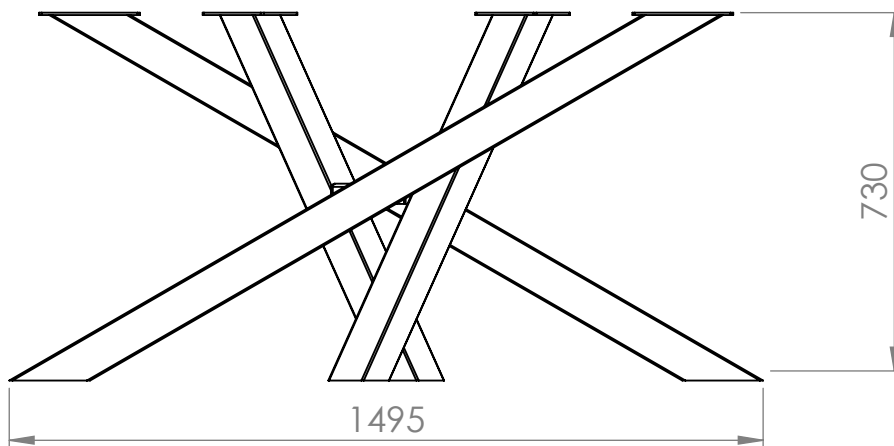


D

D

C

C



B

B

Rev A:	
Rev B:	
Rev C:	
Rev D:	

UNLESS OTHERWISE SPECIFIED:
 DIMENSIONS ARE IN MILLIMETERS
 SURFACE FINISH:
 TOLERANCES: TOSA001
 LINEAR: TOSA001
 ANGULAR: TOSA001

DEBURR AND BREAK SHARP EDGES

Projection



Property of Nordstahl copyright's reserved

NORDSTAHL

Stylish with steel

www.nordstahl.com

A

A

Drawn:	
Date:	
SCALE:	1:30

MATERIAL: Steel
FINISH: Powder coated Nordstahl Steel Colour
WEIGHT: 28607.31

Description: Twist poot
Drawing no.: TL2015-006-010

A4

4

3

2

1