

4

3

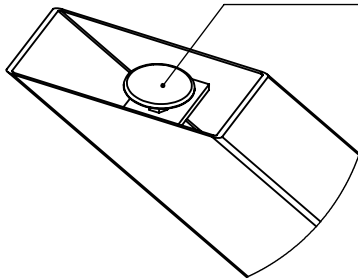
2

1

F

F

adjustable legs on all 4 sides



DETAIL BOTTOM SIDE LEG

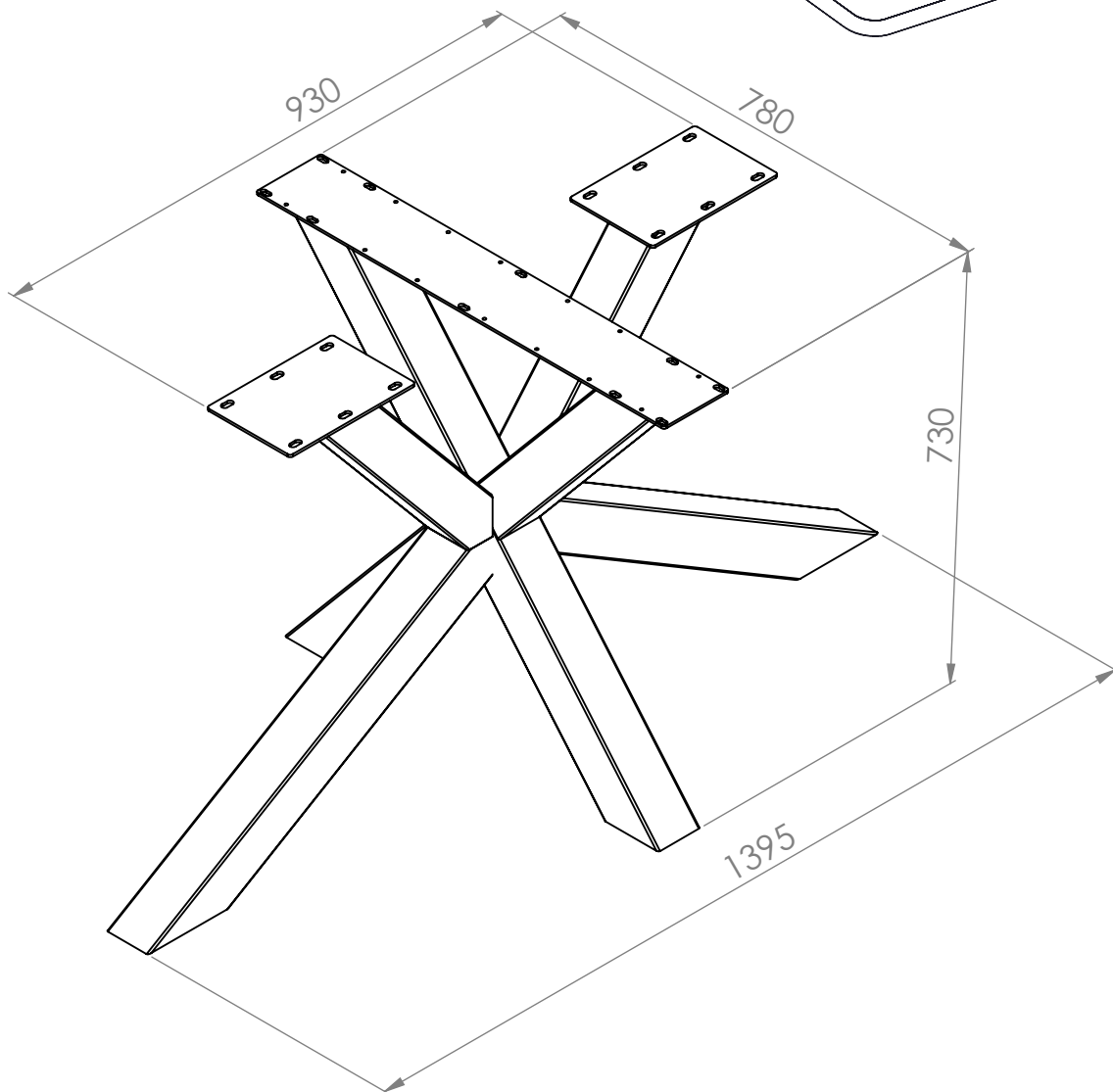


E

E

D

D



C

C

B

B

Rev A:
Rev B:
Rev C:
Rev D:

UNLESS OTHERWISE SPECIFIED:
DIMENSIONS ARE IN MILLIMETERS
SURFACE FINISH:
TOLERANCES: TOSA001
LINEAR: TOSA001
ANGULAR: TOSA001

DEBURR AND
BREAK SHARP
EDGES

Projection



Property of Nordstahl copyrights reserved

NORDSTAHL

Stylish with steel

www.nordstahl.com

A

A

Drawn:
Date:
SCALE:
1:10

MATERIAL: Steel
FINISH: Powder coated Nordstahl Steel
Colour
WEIGHT: 26771.08

Description: Matrix
Drawing no.: TL2015-009-010

A4

4

3

2

1