

4

3

2

1

F

F

E

E

D

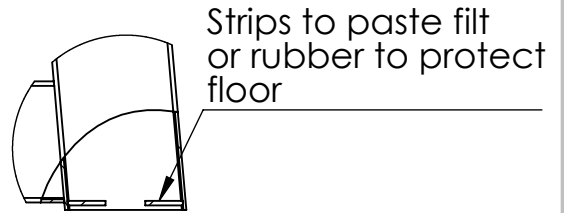
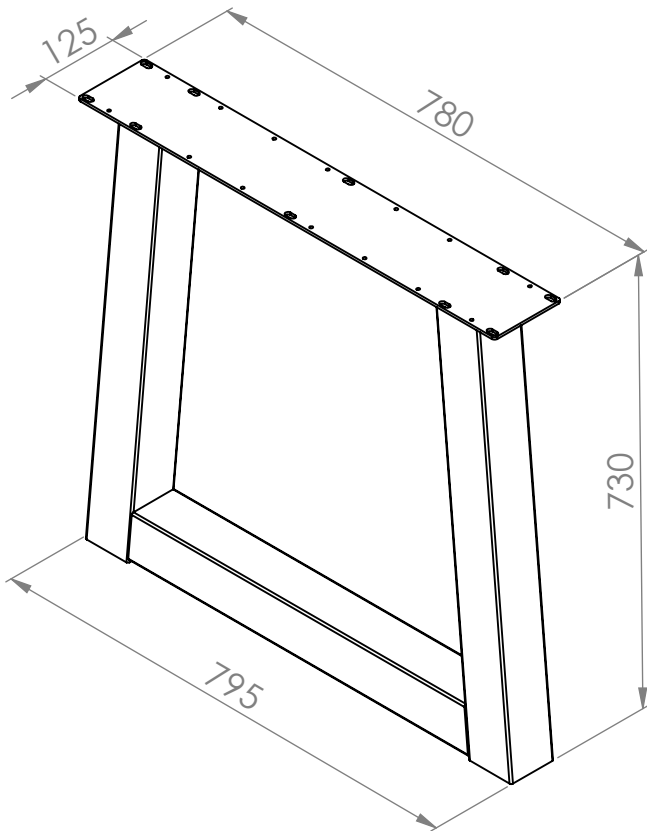
D

C

C

B

B



DETAIL BOTTOM SIDE LEG

Rev A:		UNLESS OTHERWISE SPECIFIED: DIMENSIONS ARE IN MILLIMETERS SURFACE FINISH: TOLERANCES: TOSA001 LINEAR: TOSA001 ANGULAR: TOSA001	DEBURR AND BREAK SHARP EDGES	Projection 	Property of Nordstahl copyrights reserved
Rev B:					
Rev C:					
Rev D:					

NORDSTAHL

Stylish with steel

www.nordstahl.com

A	Drawn:	MATERIAL: Steel	Description: Trapezium leg	A4
		FINISH: Powder coated Nordstahl Steel Colour		
	Date:		Drawing no.: TL2017-002-010	
	SCALE: 1:10	WEIGHT: 13205.21		

4

3

2

1

A

A4