

4

3

2

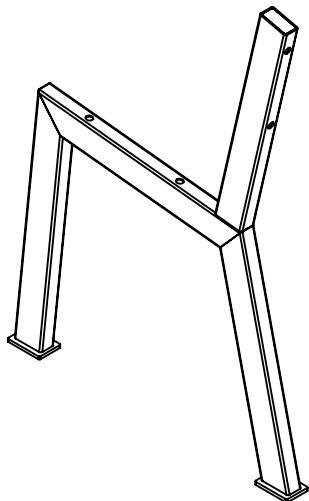
1

F

F

E

E



D

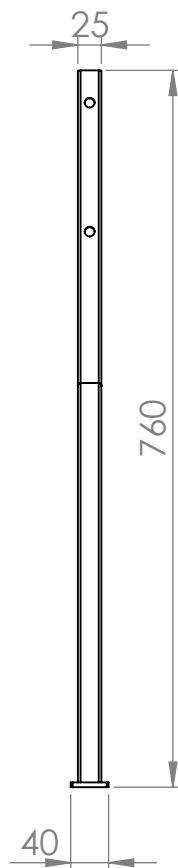
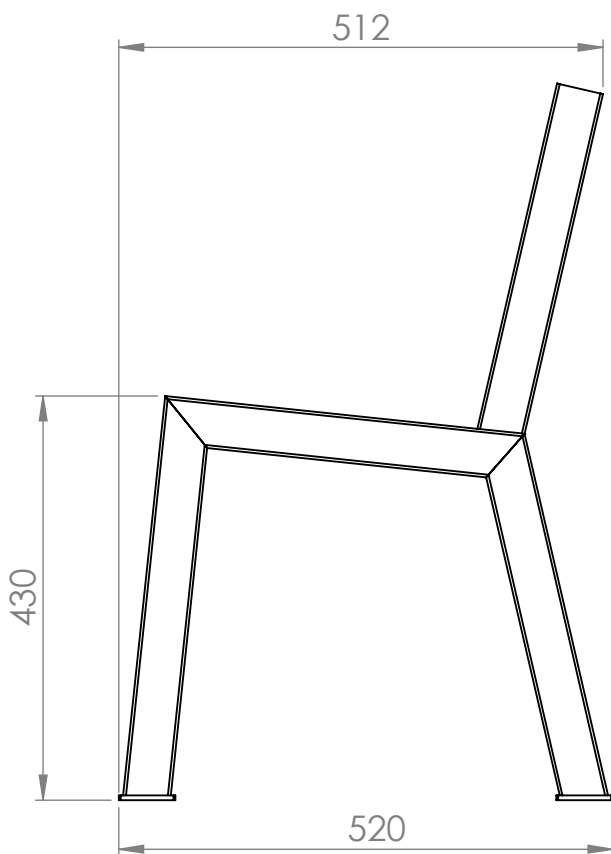
D

C

C

B

B



Rev A:
Rev B:
Rev C:
Rev D:

UNLESS OTHERWISE SPECIFIED:
DIMENSIONS ARE IN MILLIMETERS
SURFACE FINISH:
TOLERANCES: TOSA001
LINEAR: TOSA001
ANGULAR: TOSA001

DEBURR AND
BREAK SHARP
EDGES

Projection



Property of Nordstahl copyrights reserved

NORDSTAHL

Stylish with steel

www.nordstahl.com

A

A

Drawn:
Date:
SCALE: 1:5

MATERIAL: Steel
FINISH: Powder coated Nordstahl Steel
Colour
WEIGHT: 3392.64

Description: Bench leg back support

Drawing no.: BP2016-002-000

A4

4

3

2

1