

4

3

2

1

F

F

E

E

D

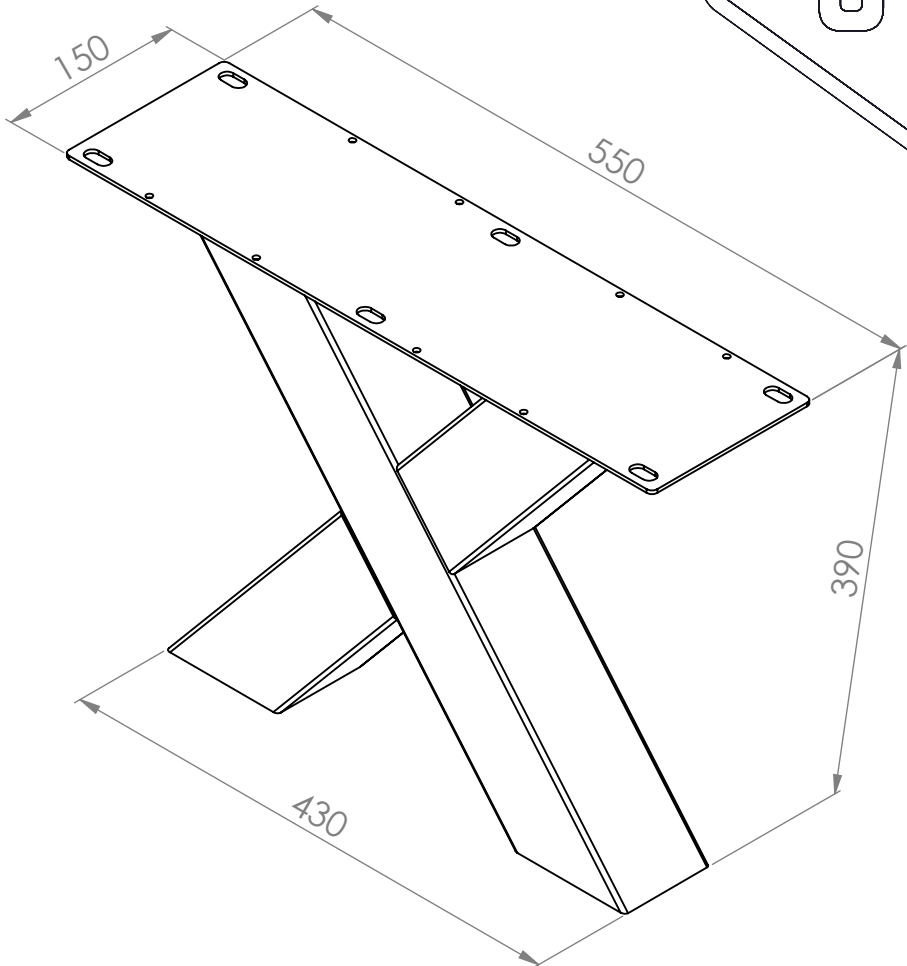
D

C

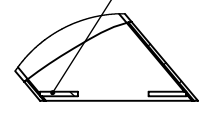
C

B

B



Strips to paste fit
or rubber to protect
the floor

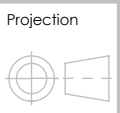


DETAIL BOTTOM
SIDE LEG

Rev A:	
Rev B:	
Rev C:	
Rev D:	

UNLESS OTHERWISE SPECIFIED:
DIMENSIONS ARE IN MILLIMETERS
SURFACE FINISH:
TOLERANCES: TOSA001
LINEAR: TOSA001
ANGULAR: TOSA001

DEBURR AND
BREAK SHARP
EDGES



Property of Nordstahl copyright's reserved

NORDSTAHL

Stylish with steel

www.nordstahl.com

A	Drawn:	MATERIAL: Steel	Description: X coffee leg
	Date:	FINISH: Powder coated Nordstahl Steel Colour	
	SCALE:	WEIGHT: 6543.17	Drawing no.:SL2015-001-010

A4

4

3

2

1