

4

3

2

1

F

F

E

E

D

D

C

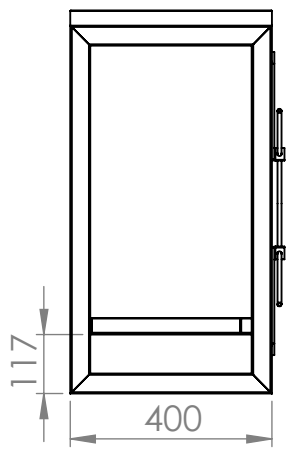
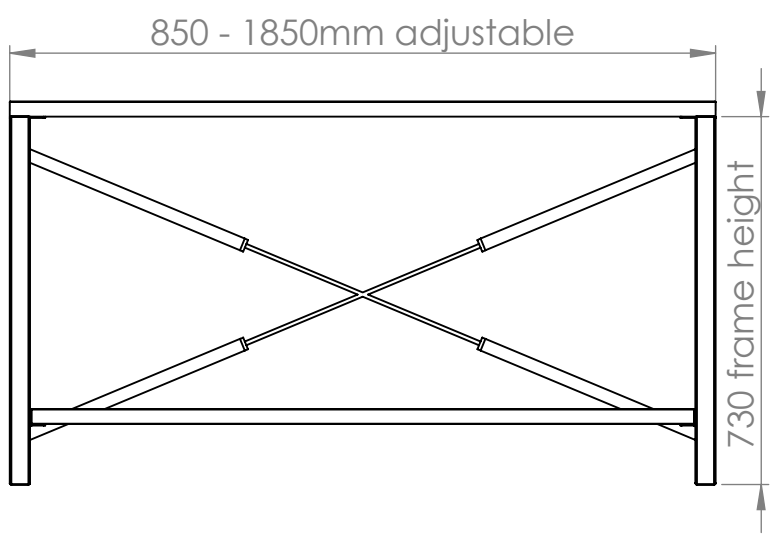
C

B

B

A

A

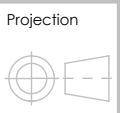


FRAME ONLY

Rev A:
Rev B:
Rev C:
Rev D:

UNLESS OTHERWISE SPECIFIED:
DIMENSIONS ARE IN MILLIMETERS
SURFACE FINISH:
TOLERANCES: TOSA001
LINEAR: TOSA001
ANGULAR: TOSA001

DEBURR AND
BREAK SHARP
EDGES



Property of Nordstahl copyrights reserved

NORDSTAHL

Stylish with steel

www.nordstahl.com

Drawn:
Date:
SCALE:
1:30

MATERIAL: Steel
FINISH: Powder coated Nordstahl Steel
Colour
WEIGHT:

Description: Side table
Drawing no.: K2015-003-000

A4

4

3

2

1