

4 3 2 1

F

F

E

E

D

D

C

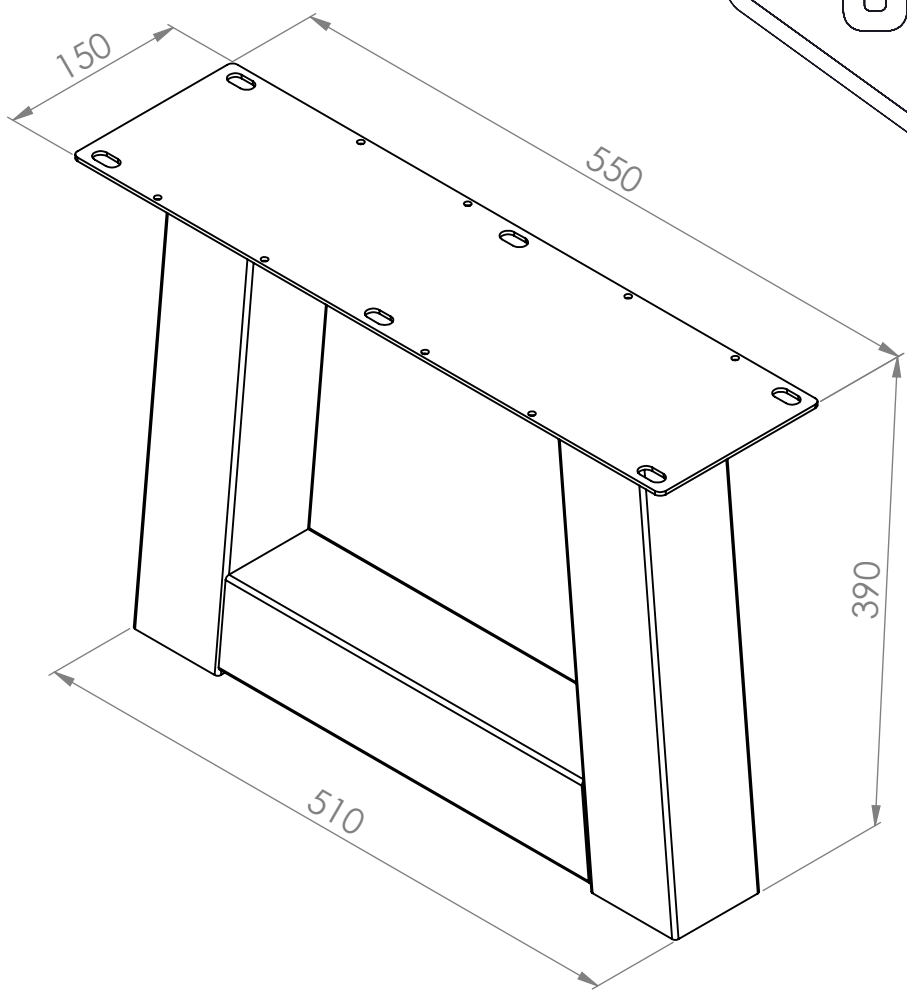
C

B

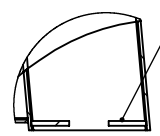
B

A

A



Strips to paste felt or rubber to protect the floor



DETAIL BOTTOM SIDE LEG

Rev A:		UNLESS OTHERWISE SPECIFIED: DIMENSIONS ARE IN MILLIMETERS SURFACE FINISH: TOLERANCES: TOSA001 LINEAR: TOSA001 ANGULAR: TOSA001	DEBURR AND BREAK SHARP EDGES	Projection
Rev B:				
Rev C:				
Rev D:				

Property of Nordstahl copyright's reserved

NORDSTAHL

Stylish with steel

www.nordstahl.com

Drawn:	MATERIAL: Steel	Description: Trapezium coffee leg
	FINISH: Powder coated Nordstahl Steel Colour	
Date:		Drawing no.:SL2015-002-010
SCALE: 1:10	WEIGHT: 7445.64	

A4

4 3 2 1