

4

3

2

1

F

F

E

E

D

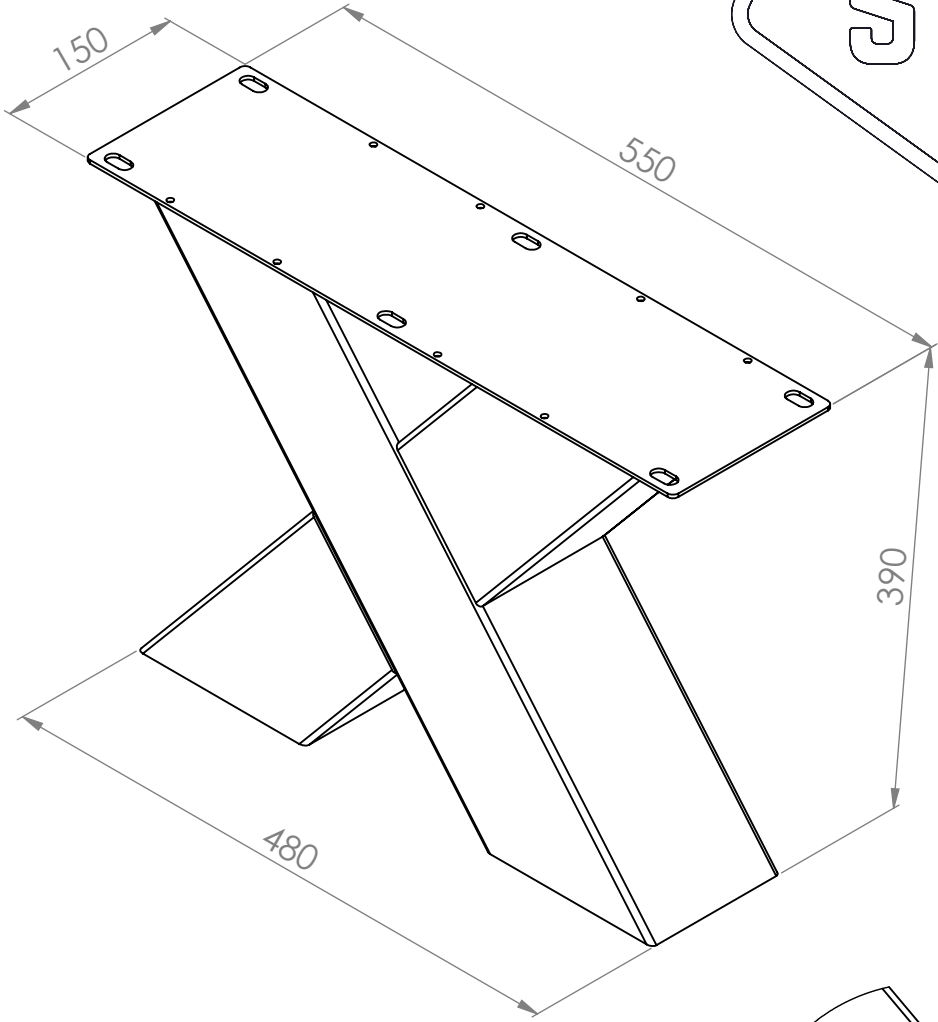
D

C

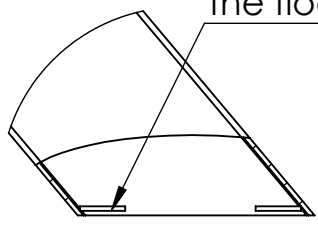
C

B

B



Strips to paste fit or rubber to protect the floor



DETAIL BOTTOM SIDE LEG

Rev A:		UNLESS OTHERWISE SPECIFIED: DIMENSIONS ARE IN MILLIMETERS SURFACE FINISH: TOLERANCES: TOSA001 LINEAR: TOSA001 ANGULAR: TOSA001	DEBURR AND BREAK SHARP EDGES	Projection
Rev B:				
Rev C:				
Rev D:				

Property of Nordstahl copyrights reserved

NORDSTAHL

Stylish with steel

www.nordstahl.com

A	Drawn:	MATERIAL: Steel	Description: X heavy coffee leg
	Date:	FINISH: Powder coated Nordstahl Steel Colour	
	SCALE: 1:10	WEIGHT: 11854.05	Drawing no.: S2015-001-010

A4

4

3

2

1

A