

4

3

2

1

F

F

E

E

D

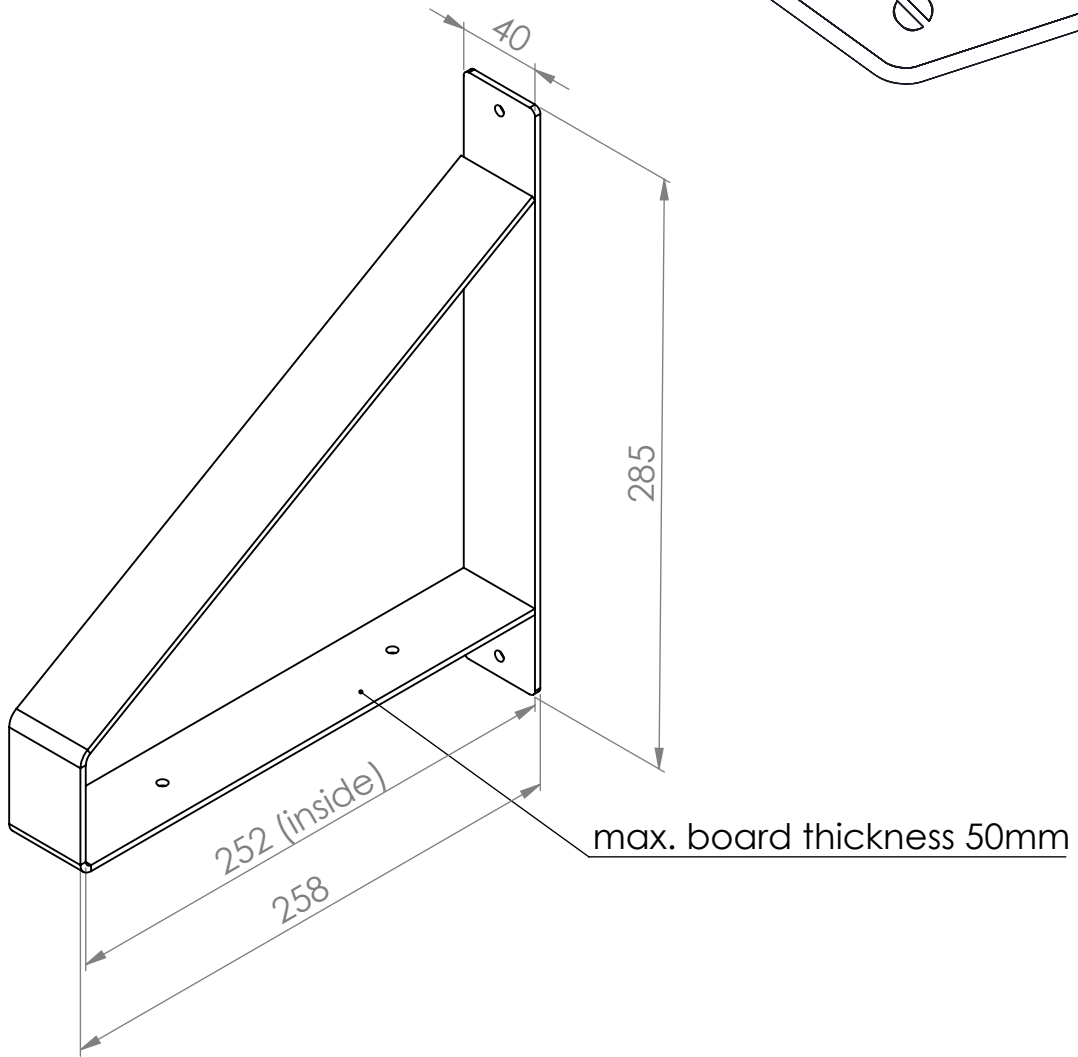
D

C

C

B

B



Rev A:

Rev B:

Rev C:

Rev D:

UNLESS OTHERWISE SPECIFIED:
 DIMENSIONS ARE IN MILLIMETERS
 SURFACE FINISH:
 TOLERANCES: TOSA001
 LINEAR: TOSA001
 ANGULAR: TOSA001

DEBURR AND
 BREAK SHARP
 EDGES

Projection



Property of Nordstahl copyrights reserved

NORDSTAHL

Stylish with steel

www.nordstahl.com

A

Drawn:

MATERIAL: Steel

Description: Wall shelf bracket

FINISH: Powder coated Nordstahl Steel
Colour

Date:

Drawing no.: WP2017-001-000

SCALE: 1:5

WEIGHT:

A4

4

3

2

1

A