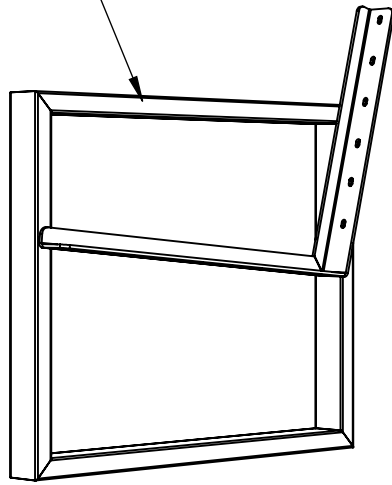


4 3 2 1

F

F

left side model

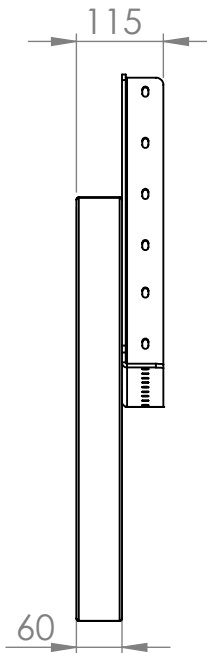
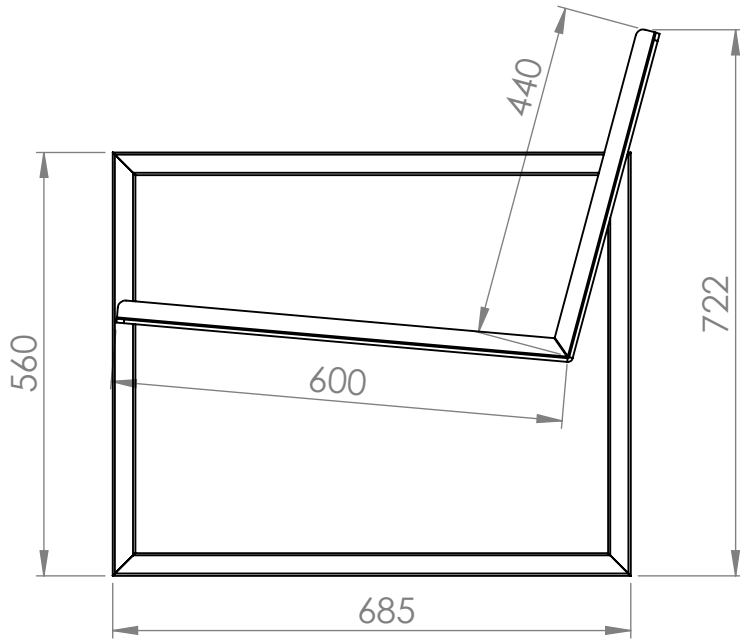


E

E

D

D



C

C

B

B

Set= 1x left + 1x right side

|        |  |   |                                    |                |
|--------|--|---|------------------------------------|----------------|
| Rev A: |  | UNLESS OTHERWISE SPECIFIED:<br>DIMENSIONS ARE IN MILLIMETERS<br>SURFACE FINISH:<br>TOLERANCES: TOSA001<br>LINEAR: TOSA001<br>ANGULAR: TOSA001 | DEBURR AND<br>BREAK SHARP<br>EDGES | Projection<br> |
| Rev B: |  |   |                                    |                |
| Rev C: |  |   |                                    |                |
| Rev D: |  |   |                                    |                |

Property of Nordstahl copyrights reserved

# NORDSTAHL

Stylish with steel

[www.nordstahl.com](http://www.nordstahl.com)

A

A

|             |   |                           |
|-------------|---|---------------------------|
| Drawn:      | MATERIAL: Steel                                     | Description: lounge frame |
|             | FINISH: zinc primer + Nordstahl black powdercoating |                           |
| Date:       |   | Drawing no.:B2019-004-000 |
| SCALE: 1:10 | WEIGHT: 9338.81 one side only                       |                           |

A4

4 3 2 1