

4

3

2

1

F

F

E

E

D

D

C

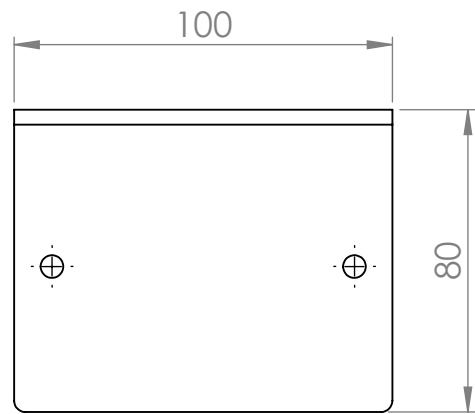
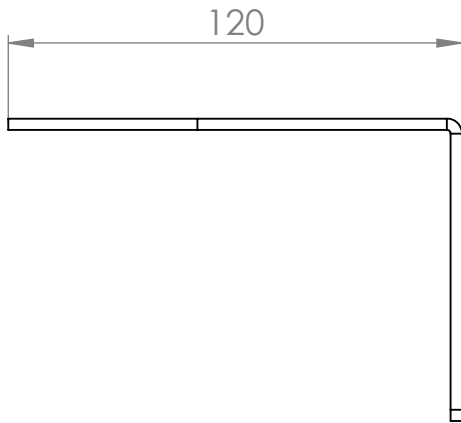
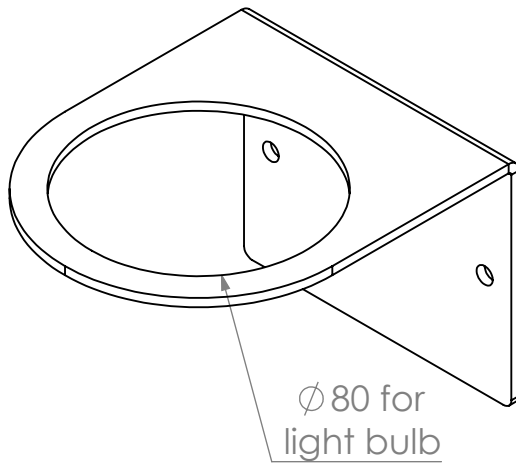
C

B

B

A

A

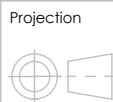


Including light cord with plug,
light socket with switch

Rev A:	-	-
Rev B:	-	-
Rev C:	-	-
Rev D:	-	-

UNLESS OTHERWISE SPECIFIED:
DIMENSIONS ARE IN MILLIMETERS
SURFACE FINISH:
TOLERANCES: TOSA001
LINEAR: TOSA001
ANGULAR: TOSA001

DEBURR AND
BREAK SHARP
EDGES



Property of Nordstahl copyrights reserved

NORDSTAHL

Stylish with steel

www.nordstahl.com

Drawn:	E. de Bruijn	MATERIAL: Steel
	E. de Bruijn	FINISH: Powder coated Nordstahl Steel Colour
Date:	-	
SCALE:	1:5	WEIGHT: 314.33

Description: light bracket

Drawing no.: WP2018-005-000

A4

4

3

2

1