

4

3

2

1

F

F

E

E

D

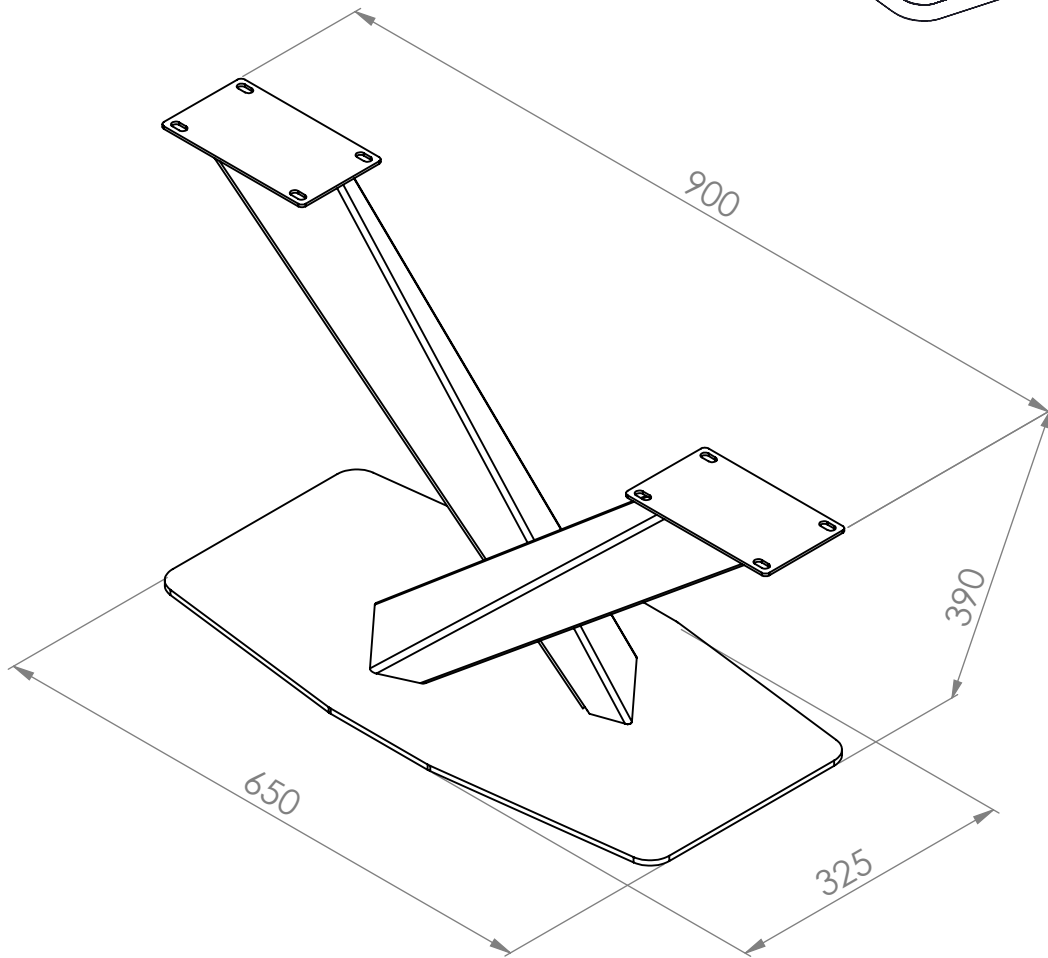
D

C

C

B

B



Rev A:

Rev B:

Rev C:

Rev D:

UNLESS OTHERWISE SPECIFIED:
 DIMENSIONS ARE IN MILLIMETERS
 SURFACE FINISH:
 TOLERANCES: TOSA001
 LINEAR: TOSA001
 ANGULAR: TOSA001

DEBURR AND
 BREAK SHARP
 EDGES

Projection



Property of Nordstahl copyrights reserved

NORDSTAHL

Stylish with steel

www.nordstahl.com

A

Drawn:

MATERIAL: Steel

FINISH: Powder coated Nordstahl Steel
Colour

Description: Twisted V Coffee

Date:

Drawing no.: S2015-005-000

SCALE:

WEIGHT: 17124.37

A4

4

3

2

1

1:10

A

A