

4

3

2

1

F

F

E

E

D

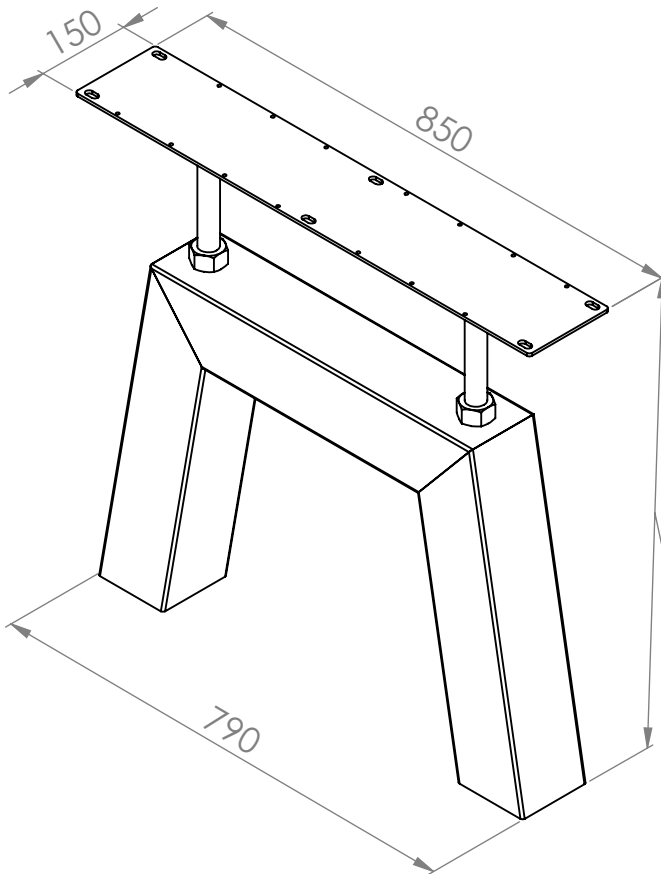
D

C

C

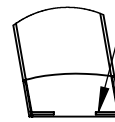
B

B



Adjustable:  
660 - 770 mm  
height

strips to past fit  
or rubber to protect  
the floor



DETAIL I  
SCALE 1 : 10

Rev A:  
Rev B:  
Rev C:  
Rev D:

UNLESS OTHERWISE SPECIFIED:  
DIMENSIONS ARE IN MILLIMETERS  
SURFACE FINISH:  
TOLERANCES: TOSA001  
LINEAR: TOSA001  
ANGULAR: TOSA001

DEBURR AND  
BREAK SHARP  
EDGES

Projection



Property of Nordstahl copyrights reserved

# NORDSTAHL

Stylish with steel

[www.nordstahl.com](http://www.nordstahl.com)

A

A

Drawn:  
Date:  
SCALE:  
1:20

MATERIAL: Steel  
FINISH: Powder coated Nordstahl Steel  
Colour  
WEIGHT: 24667.48

Description: Bridge tafelpoot

Drawing no.: T2015-008-000

A4

4

3

2

1