

4

3

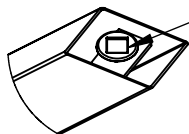
2

1

F

F

adjustable legs on all 3 sides



Detail bottom leg

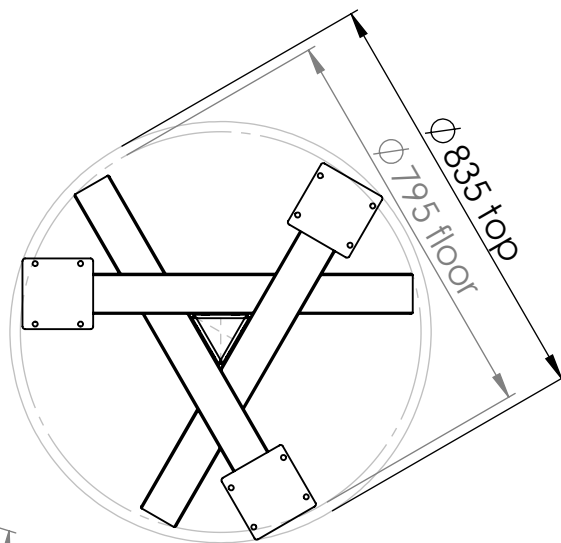


E

E

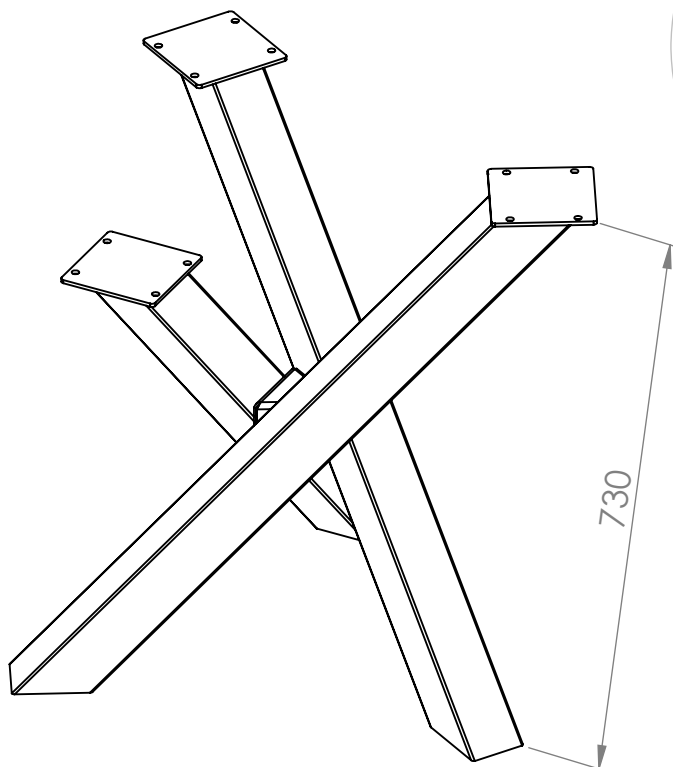
D

D



C

C



B

B

Rev A:

Rev B:

Rev C:

Rev D:

UNLESS OTHERWISE SPECIFIED:  
DIMENSIONS ARE IN MILLIMETERS  
SURFACE FINISH:  
TOLERANCES: TOSA001  
LINEAR: TOSA001  
ANGULAR: TOSA001

DEBURR AND  
BREAK SHARP  
EDGES

Projection



Property of Nordstahl copyright's reserved

# NORDSTAHL

Stylish with steel

[www.nordstahl.com](http://www.nordstahl.com)

A

A

Drawn:

MATERIAL: Steel

Description: Twist round 8x8

FINISH: Powder coated Nordstahl Steel  
Colour

Date:

Drawing no.: TL2015-016-010

SCALE:

WEIGHT: 17381.12

A4

1:30

4

3

2

1